



HORTECH



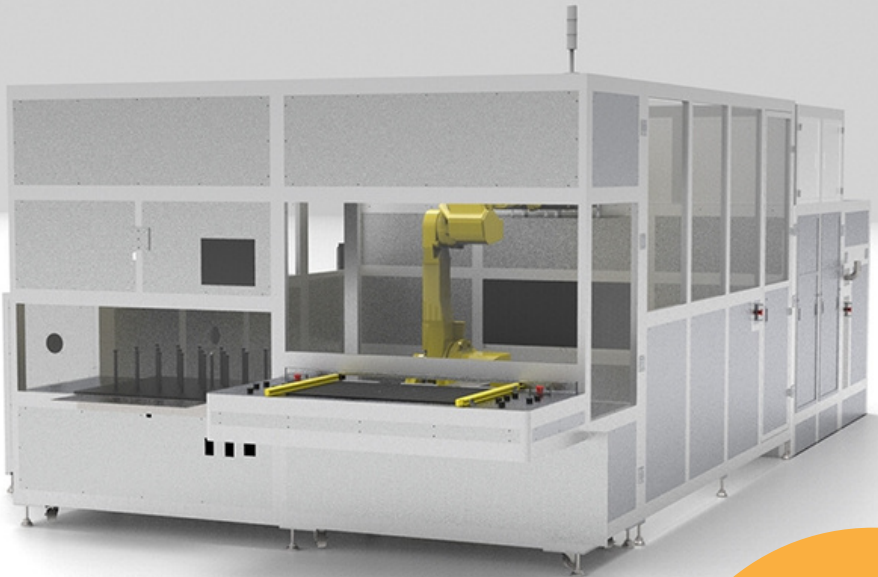
PRODUCT CATALOG

Design for your specific needs

<https://www.hortech.com.tw/>

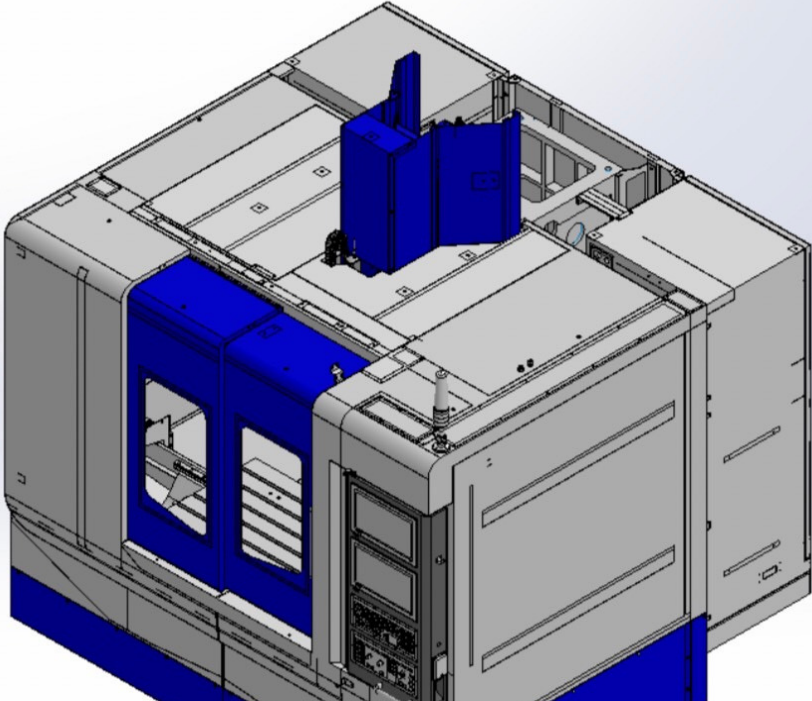
Micron Laser Solutions

Hortech specializes in laser micro-etching, micro-drilling, and micro-cutting techniques. We design custom made precision laser machines for you. We wish our expertise serve your special applications well.





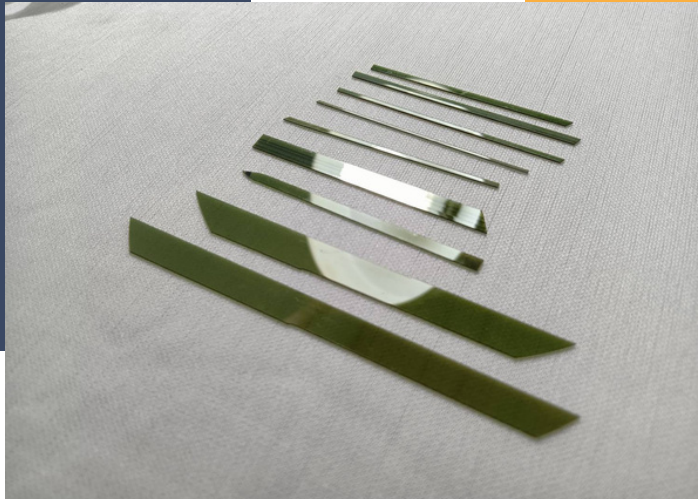
HORTECH



Waterjet Laser Machine

About this machine

This machine's laser beam is guided by a waterjet that removes dust and leaves no cracks. It performs cold laser processing that effectively reduces thermal effects and debris and therefore significantly enhances yield rates. It can process diverse materials, especially hard and brittle materials that are subject to the damage caused by heat, contamination, and deformation.



SPECIFICATION

- ✓ Laser source: 515/532 nm, 20W-200 W (optional)
- ✓ Pulse frequency > 1 KHz
- ✓ Pulse energy > 2 - 200 mJ
- ✓ Motion stage XYZ: 500*500*100 mm at < 5um resolution
- ✓ Vision > 5M pixels for positioning (optional)
- ✓ Horteck/Fagor or (Fanuc) controller with HMI & PLC IO
- ✓ Model: 3 axis/4 axis /5 axis, or custom designed

APPLICATIONS

- ✓ Precision cutting on metal plates
- ✓ Deep micro-holes on alloy metal
- ✓ Diamond blade/saw cutting
- ✓ Semi-cutting on SiC substrates
- ✓ Metal mesh holes



Laser Experts at Your Service

Cutting-edge Laser Technologies

<https://www.hortech.com.tw/>